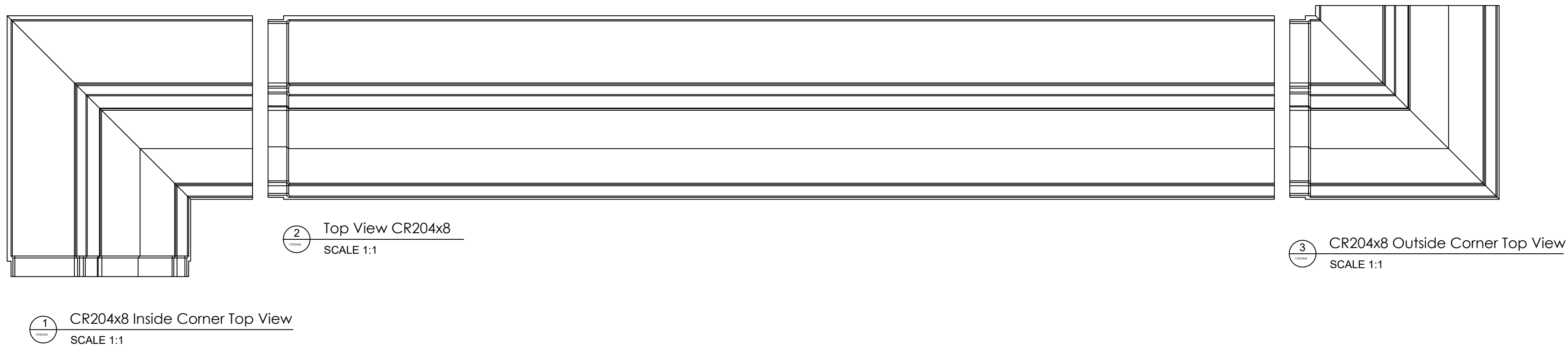


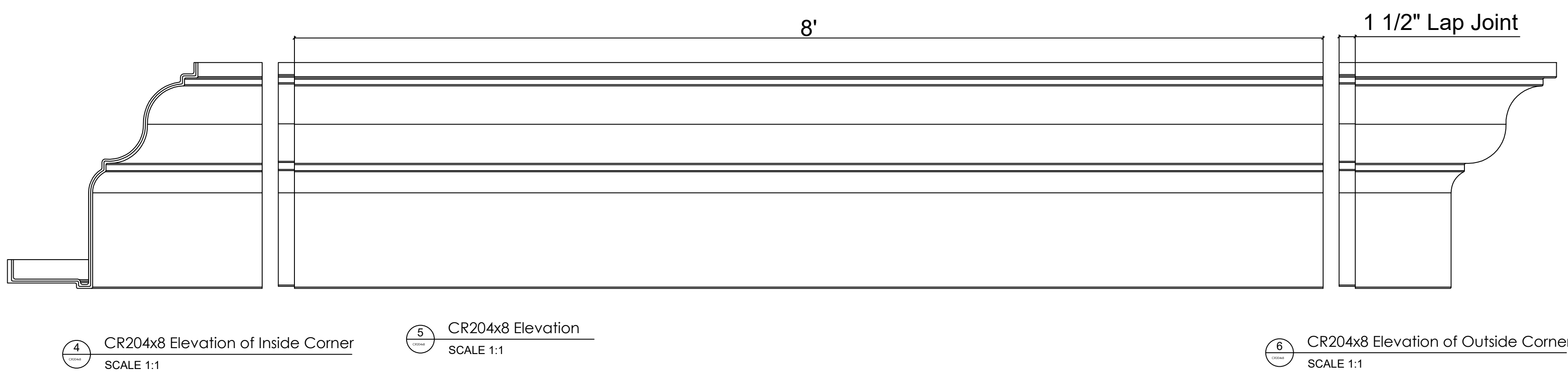
Fiberglass Cornice by Architectural Mall, Inc
 Available in Paint-Grade or Pre-Finished Gel Coat,
 Stone Finish, or Granite Finish



1 CR204x8 Inside Corner Top View
SCALE 1:1

2 Top View CR204x8
SCALE 1:1

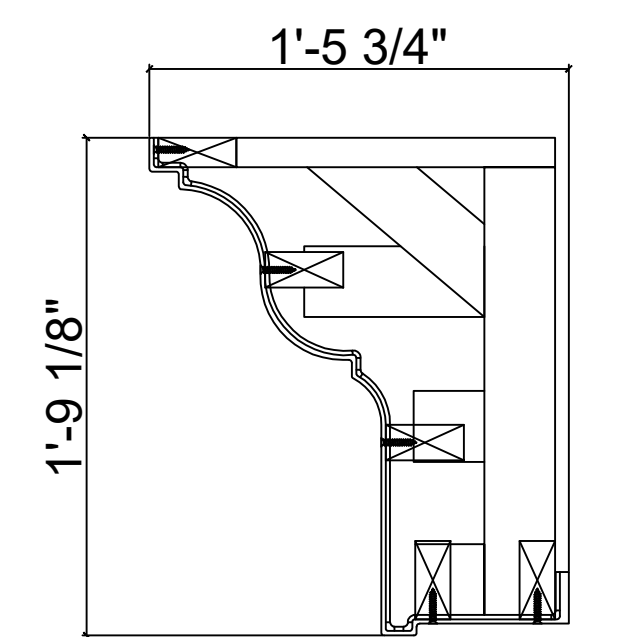
3 CR204x8 Outside Corner Top View
SCALE 1:1



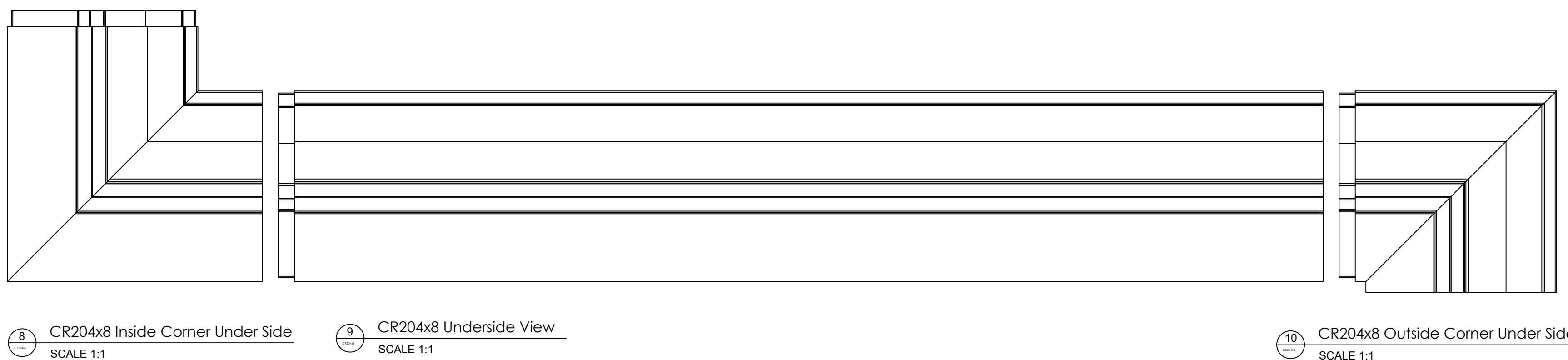
4 CR204x8 Elevation of Inside Corner
SCALE 1:1

5 CR204x8 Elevation
SCALE 1:1

6 CR204x8 Elevation of Outside Corner
SCALE 1:1



7 CR204x8 Cross Section
SCALE 1:1

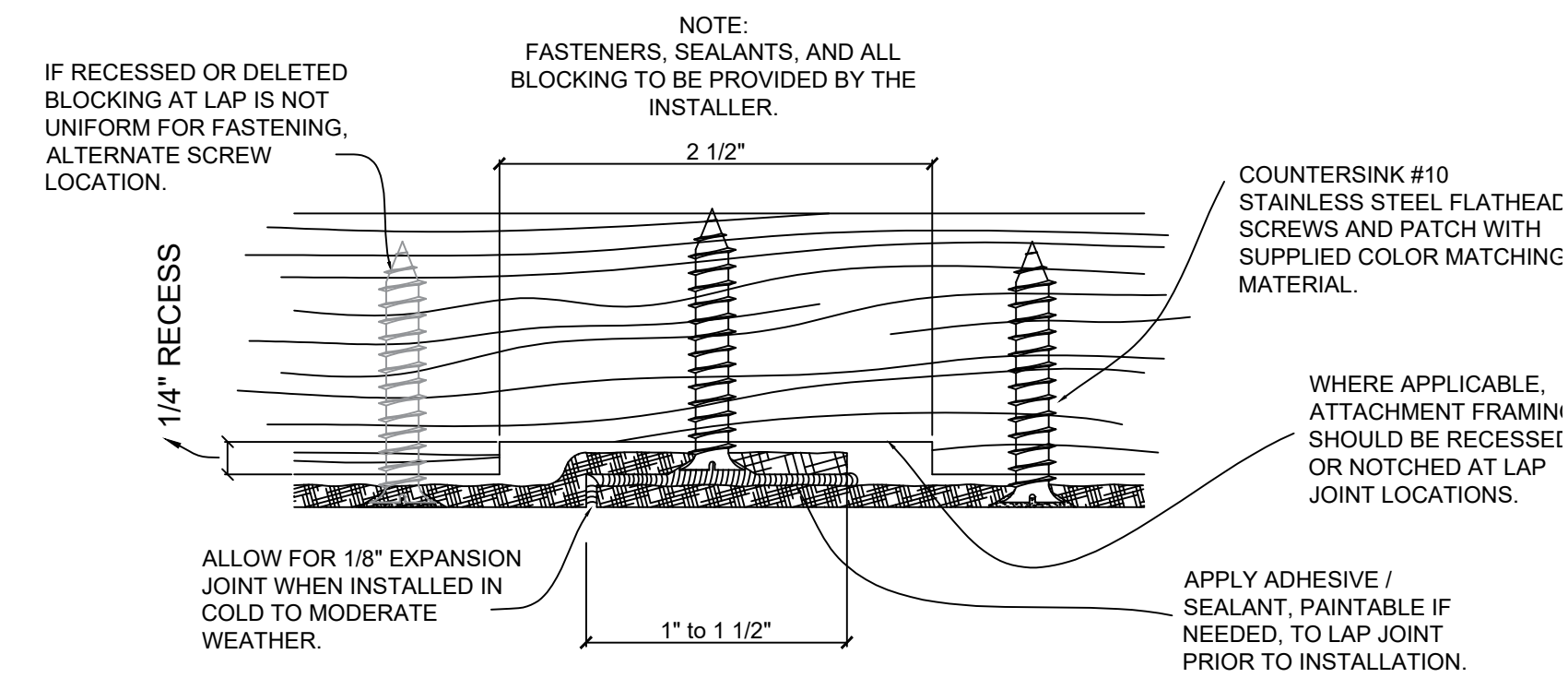


8 CR204x8 Inside Corner Under Side
SCALE 1:1

9 CR204x8 Underside View
SCALE 1:1

10 CR204x8 Outside Corner Under Side
SCALE 1:1

This is a recommendation. Actual framing to be determined by Engineer.



11 Typical Lap Joint Detail
Not to Scale

CR204x8

1'-9 1/8" H x 1'-5 3/4" P x 96" L

Manufactured By Architectural Mall, Inc
 323 St Paul Blvd. Carol Stream, IL 60188
 T. 877-279-9993 F. 844-817-0480
www.columnsandbalustrades.com
Sales@architecturalmall.com