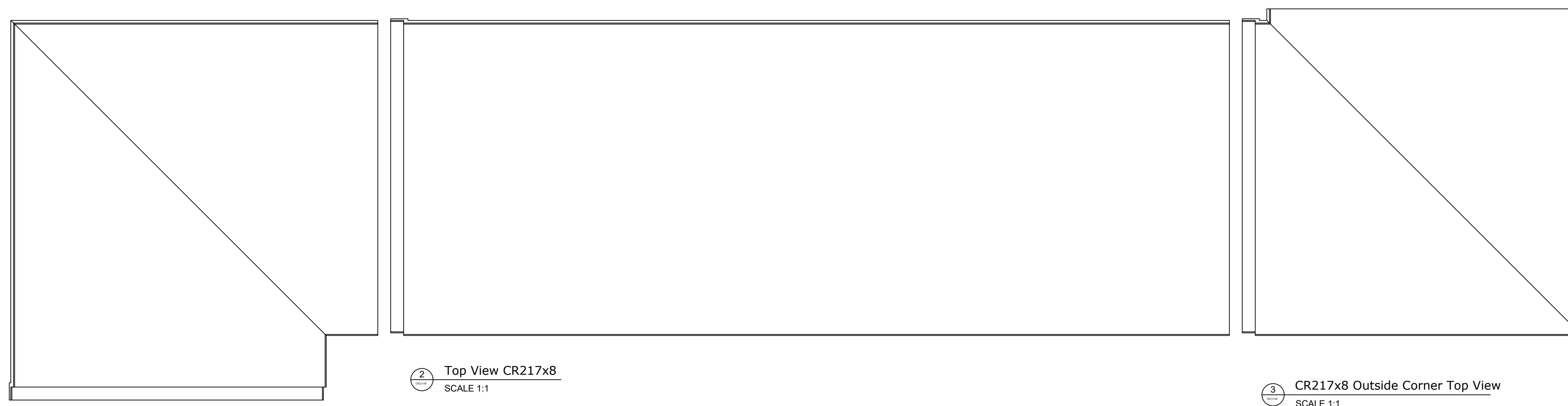


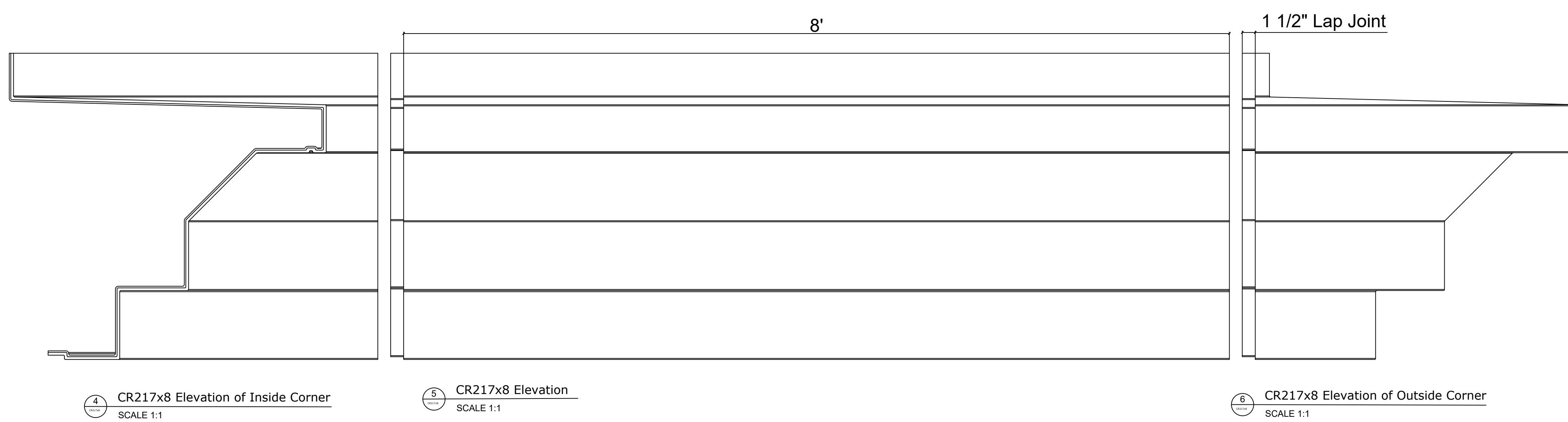
Fiberglass Cornice by Architectural Mall, Inc
 Available in Paint-Grade or Pre-Finished Gel Coat,
 Stone Finish, or Granite Finish



CR217x8 Inside Corner Top View
SCALE 1:1

Top View CR217x8
SCALE 1:1

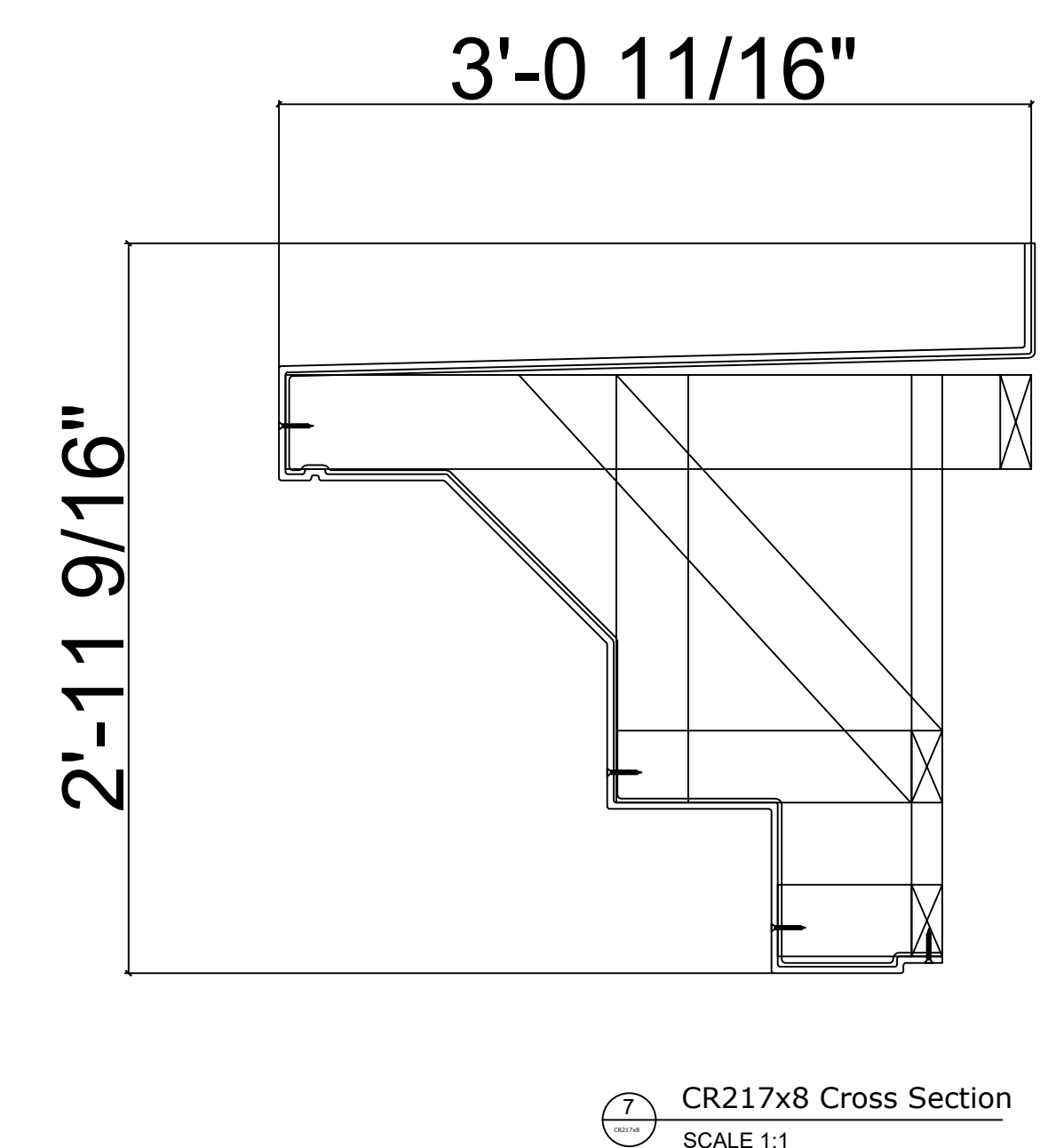
CR217x8 Outside Corner Top View
SCALE 1:1



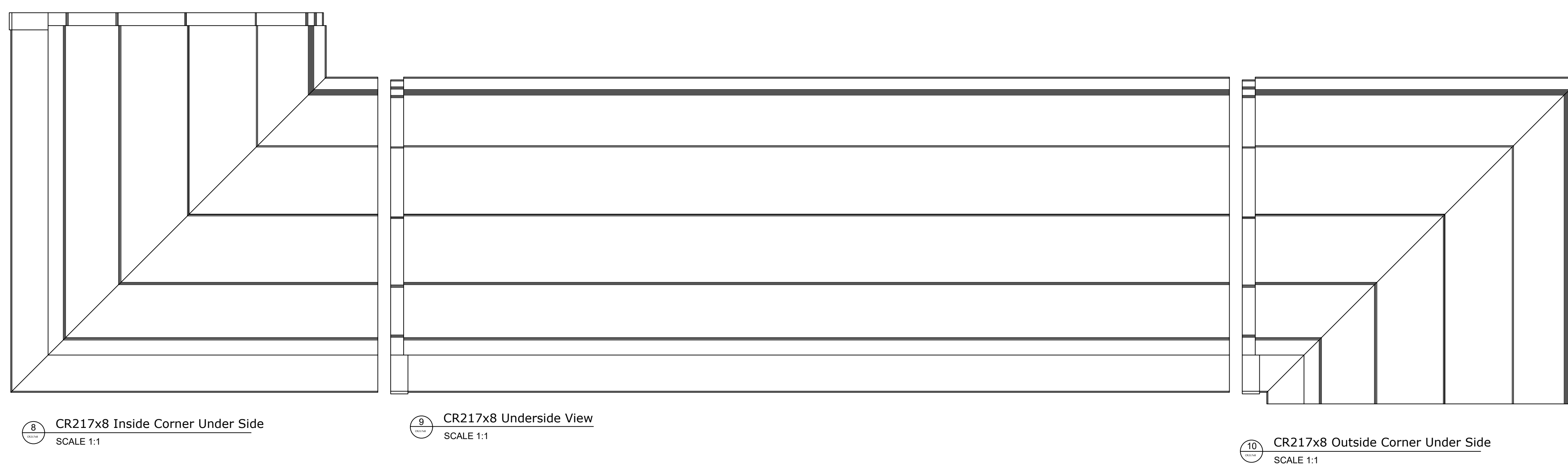
CR217x8 Elevation of Inside Corner
SCALE 1:1

CR217x8 Elevation
SCALE 1:1

CR217x8 Elevation of Outside Corner
SCALE 1:1



CR217x8 Cross Section
SCALE 1:1

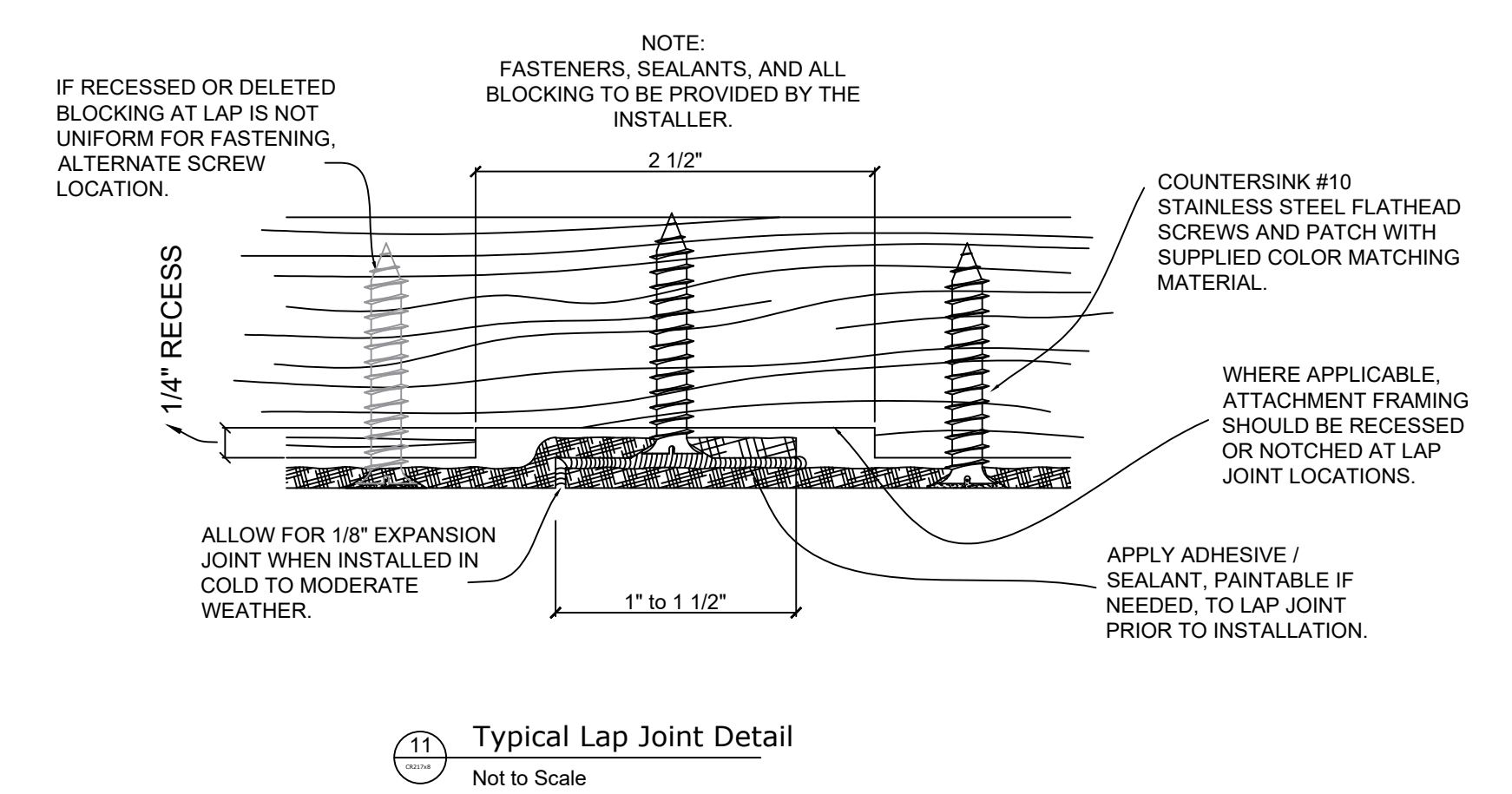


CR217x8 Inside Corner Under Side
SCALE 1:1

CR217x8 Underside View
SCALE 1:1

CR217x8 Outside Corner Under Side
SCALE 1:1

This is a recommendation. Actual framing to be determined by Engineer.



Typical Lap Joint Detail
Not to Scale

CR217x8

2'-11 9/16" H x 3'-0 11/16" P x 96" L
 Manufactured By Architectural Mall, Inc
 323 St Paul Blvd. Carol Stream, IL 60188
 T. 877-279-9993 F. 844-817-0480
www.columnsandbalustrades.com
Sales@architecturalmall.com